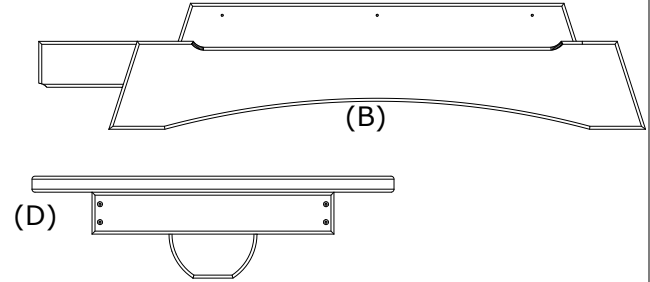
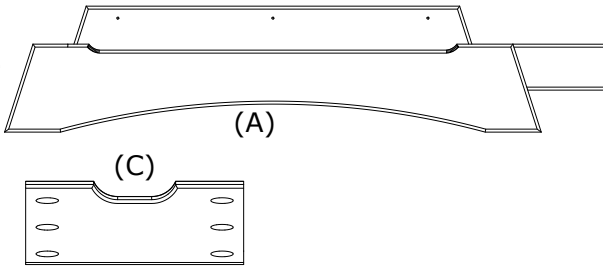




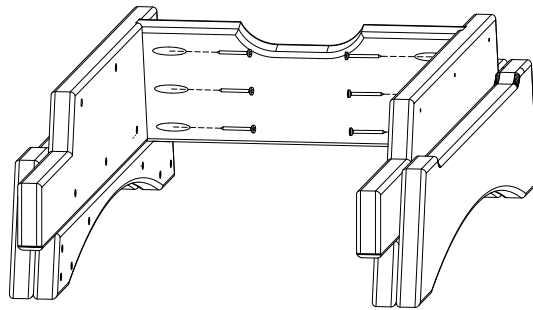
- Parts list
 1 - (A) Balcony Base Right Side
 1 - (B) Balcony Base Left Side
 1 - (C) Back Cross Pc.
 1 - (D) Footrest

Tools Required
 #2 Square Drive Bit
 (Not Included)

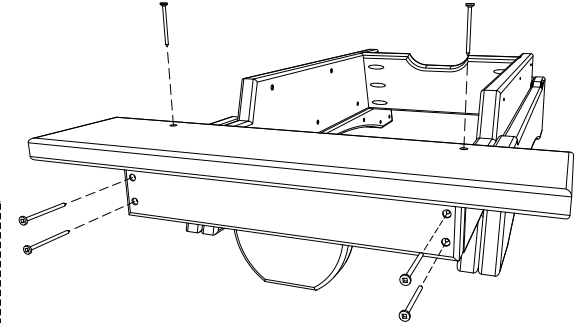
- Hardware**
 6 - 2" Screws
 12 - 1 1/2" Screws



1. Attach (C) Back Cross Pc. to (A) and (B) Balcony Base using 6 - 1 1/2" Screws in predrilled Pocket Holes. Be sure to match all numbers and or letters.



2. Attach (D) Footrest to (A) and (B) Balcony Base using 6 - 2" Screws in predrilled Holes. Be sure to match all numbers and or letters.



3. Position Glider on Balcony Base, Attach Balcony Base using 3 - 1 1/2" Screws per side in predrilled Holes.

