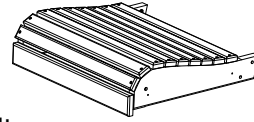


Parts List

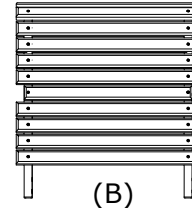
- 1 - (A) Seat Assembly
- 1 - (B) Back Assembly
- 2 - (C) Armrest Assemblies

Hardware

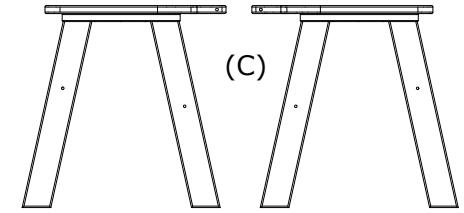
- 2 - 5/16" x 3 1/2" Stainless Wafer Bolts
- 2 - 5/16" x 2 1/2" Stainless Wafer Bolts
- 4 - 5/16" x 2" Stainless Wafer Bolts
- 4 - 2" Screws
- 1 - 5/32" Hex Key



(A)

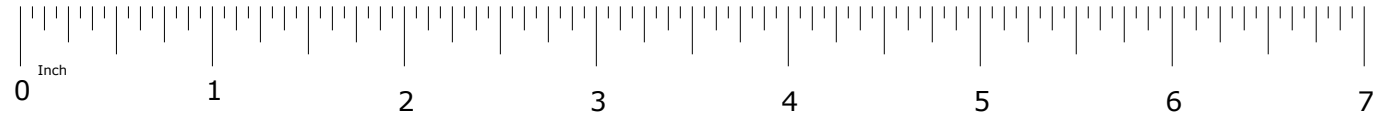


(B)

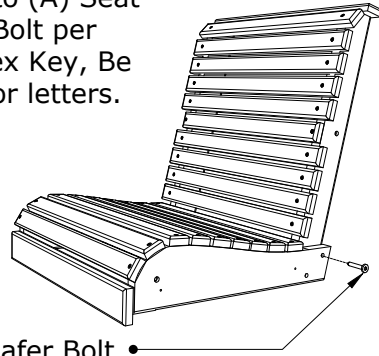


(C)

Tools Required
 5/32 Hex Key (Included)
 #2 Square Drive Bit
 (Not Included)

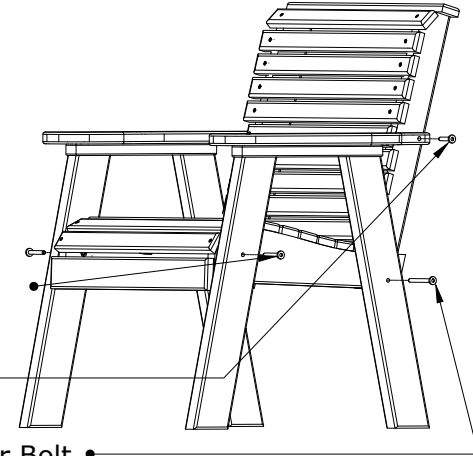


1. Attach (B) Back Assembly to (A) Seat Assembly using 1 - 2" Wafer Bolt per side, Tighten with included Hex Key, Be sure to match all numbers & or letters.



2" Stainless Wafer Bolt

2. Attach (C) Armrest Assemblies to (A) Seat Assembly & (B) Back Assembly using 1 - 3 1/2" Wafer Bolt, 1 - 2 1/2" Wafer Bolt, & 1 - 2" Wafer Bolt per Armrest Assembly, tighten with included Hex Key. Be sure to match all numbers & or Letters.

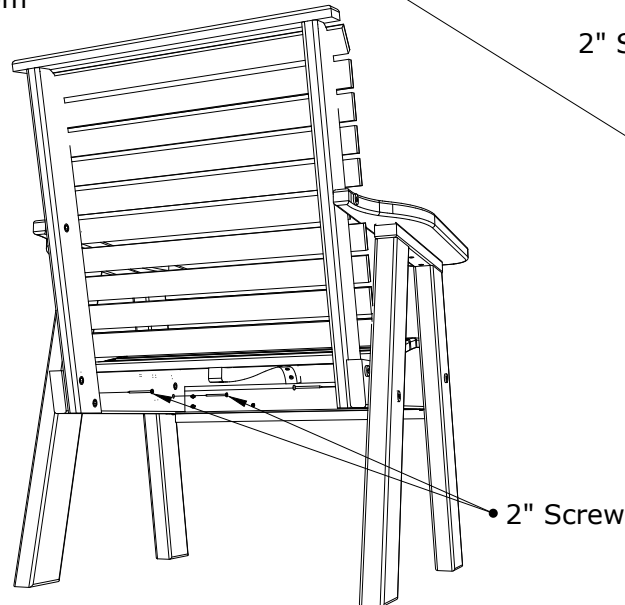


2 1/2" Stainless Wafer Bolt

2" Stainless Wafer Bolt

3 1/2" Stainless Wafer Bolt

3. Install 2 - 2" Screws per side from inside of seat in predrilled holes.



2" Screw



2 Plain Poly Bench Assembly Instructions

02/12/ 2020

R.M.