

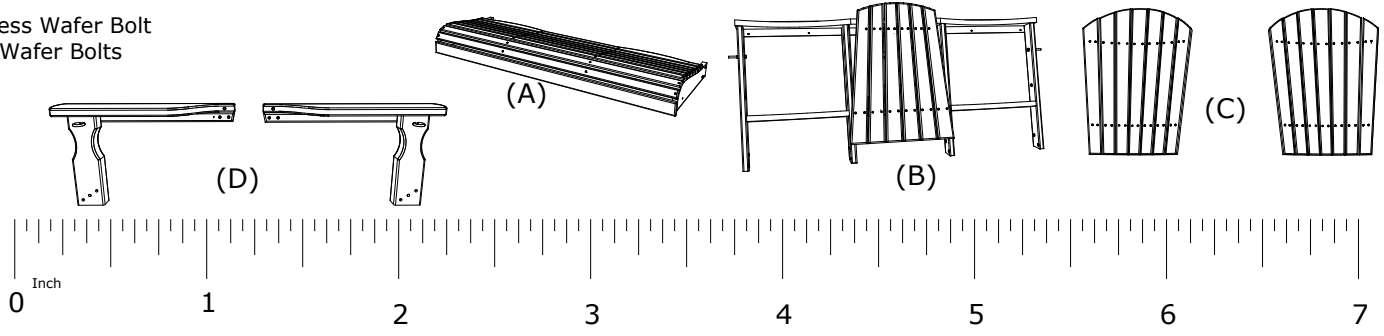


**Hardware**  
 2 - 5/16" x 3 1/2" Stainless Wafer Bolt  
 10 - 5/16 x 2" Stainless Wafer Bolts  
 6 - Nuts  
 10 - Washers  
 4 - 2" Screws

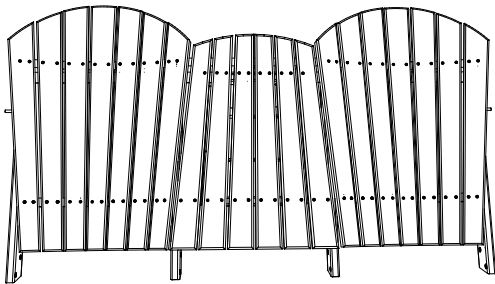
**Tools Required**  
 5/32 Hex Key (Included)  
 #2 Square Drive Bit (Not Included)  
 1/2" Wrench (Not Included)

60 - 1 1/2" Screws  
 1 - 5/32 Hex Key  
 1 - Set Swing Chains

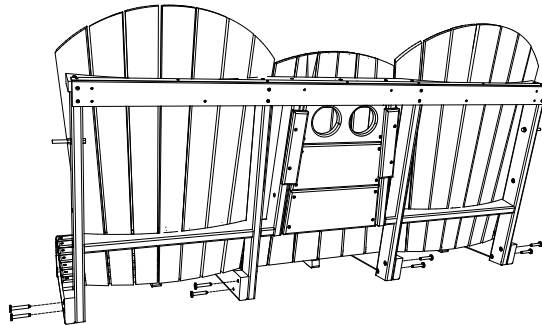
**Parts List**  
 1 - (A) Seat Assembly  
 1 - (B) Back Assembly  
 14- (C) Back Slats  
 2 - (D) Armrest Assemblies



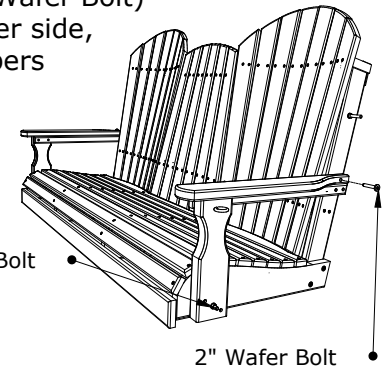
1. Attach (C) Back Slats to (B) Back Assembly using (56 - 1 1/2" Screws.) Be sure to match all numbers & or letters.



2. Attach (B) Back Assembly to (A) Seat Assembly using (8-2" Wafer Bolts,) Be sure to match all numbers & or letters, tighten Wafer Bolts with included Hex Key.

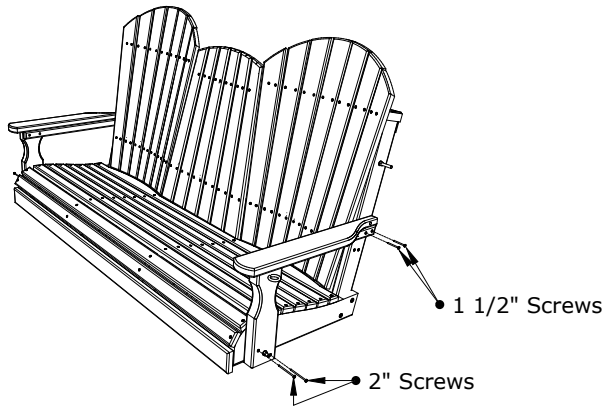


3. Attach (D) Armrest Assemblies using (1 - 2" Wafer Bolt) (1 - 3 1/2" Wafer Bolt) (1 - Washer) & (1- Nut) per side, Be sure to match all numbers & or letters, tighten Wafer Bolt with included Hex Key. insert 3 1/2" Wafer Bolt from inside out.

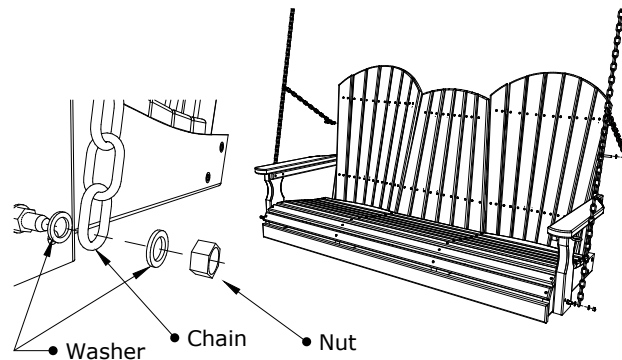


3 1/2" Wafer Head Bolt requires Washer - between nut & Product

4. Install (2-2" Screws)&(2-1 1/2" Screws) per side.



5. Attach short end of Chain to Back and long end through screw eye to bottom of front upright using (2-Nuts)&(4 - Washers) per side "Install Washer-Chain-Washer-Nut"



5' Adirondack Poly Swing Assembly Instructions

03/19/ 2018

R.M.