



Parts List

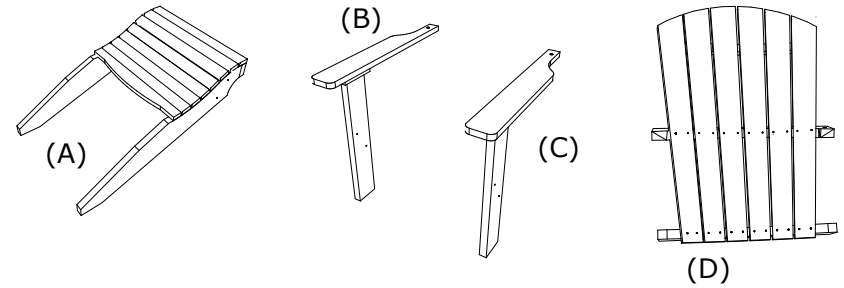
- (A) - Seat Assembly
- (B) - Armrest Assembly
- (C) - Armrest Assembly
- (D) - Back Assembly

Hardware

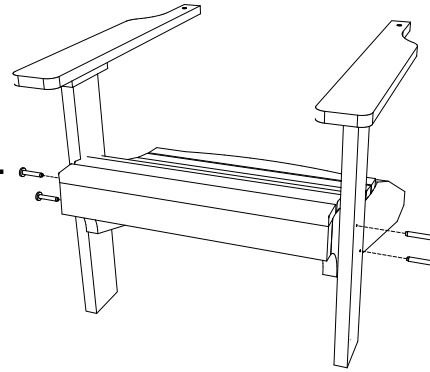
- 4 - 2" Screws
- 2- 5/16" x 1 3/4" Stainless Wafer Bolts
- 4- 5/16" x 2" Stainless Wafer Bolts
- 1- 5/32" Hex Key

Tools Required

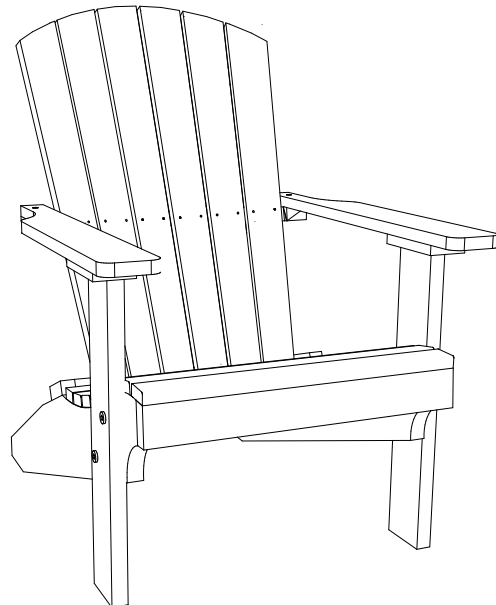
- 5/32 Hex Key (Included)
- #2 Square Drive Bit (Not Included)



1. Attach (B) & (C) Armrests to (A) Seat Assembly using (2 - 5/16" x 2" Wafer Bolts) for each Armrest. Be sure to match all numbers and/or letters. Tighten all Wafer Bolts with included Hex Key.



2. Attach (D) Back Assembly to (A) Seat Assembly (B) Armrest & (C) Armrest using 2- 2" Screws for Seat Assembly & 1- 1 3/4" Wafer Bolt for Armrest for each side. Be sure to match all numbers and/or letters. Tighten all Wafer Bolts with included Hex Key.



Lakeside Adirondack Chair Assembly Instructions

10/16/ 2017

R.M.