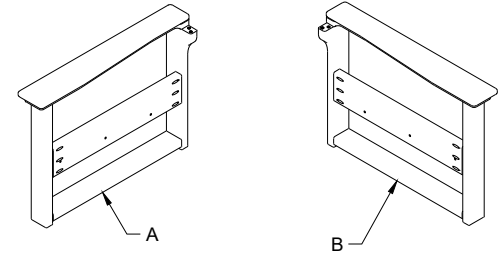
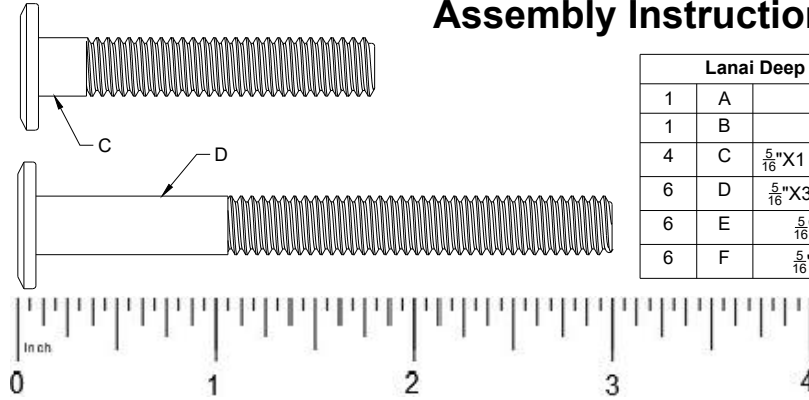
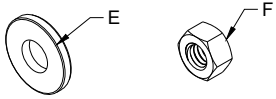




Assembly Instructions

Tools Required
$\frac{5}{32}$ " Allen Key (Included with the Seat Section)
$\frac{1}{2}$ " Wrench (Not included)

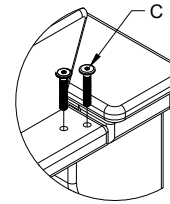
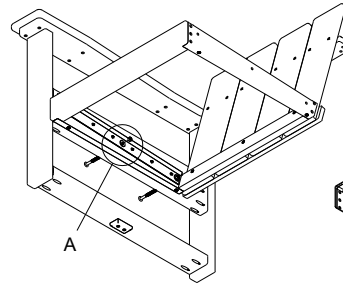
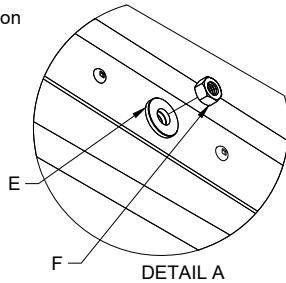
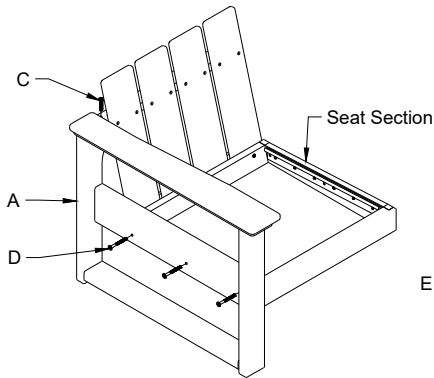
Lanai Deep Seating Armrest Set		
1	A	Right Arm Rest
1	B	Left Arm Rest
4	C	$\frac{5}{16}$ "X $1\frac{3}{4}$ " Stainless Steel Wafer Bolt
6	D	$\frac{5}{16}$ "X3" Stainless Steel Wafer Bolt
6	E	$\frac{5}{16}$ " Stainless Steel Washer
6	F	$\frac{5}{16}$ " Stainless Steel Hex Nut



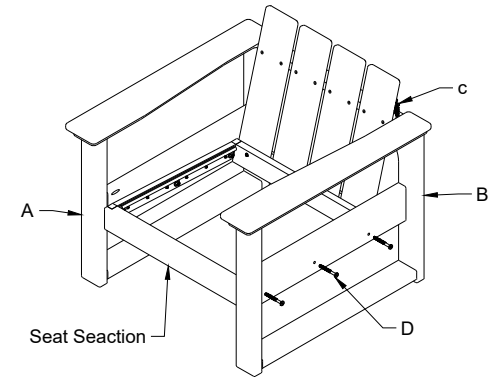
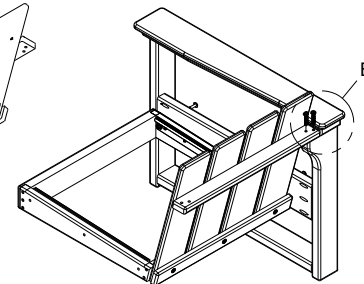
1. When assembling your furniture, choose a flat, clean, soft surface like a carpet, blanket or the flattened cardboard box and remove the staples, to avoid damaging furniture.
2. Attach (A) Right Armrest to your assembled Seat section using 3-(D) 3" Wafer Bolts, (E) $\frac{5}{16}$ " Washers, (F) $\frac{5}{16}$ " Hex Nuts, in the predrilled holes on the side of the Seat section.
3. Attach the Seat back using 2-(C) $1\frac{3}{4}$ " Wafer Bolts in the top of Back.

Tip: Wait to tighten the bolts all the way, till all the fasteners are installed to ease the assembly.

4. Attach (B) Left Armrest on the left side of last Seat section of the Chair, Loveseat, or Sofa. Repeating steps 2 and 3.



DETAIL B



5. Tighten all the Fasteners using the Allen Key and Wrench

