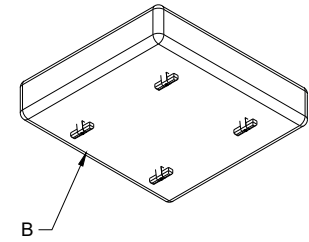
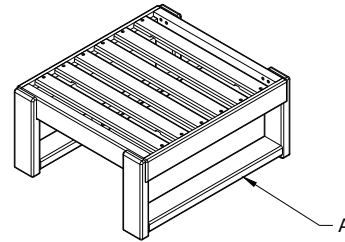


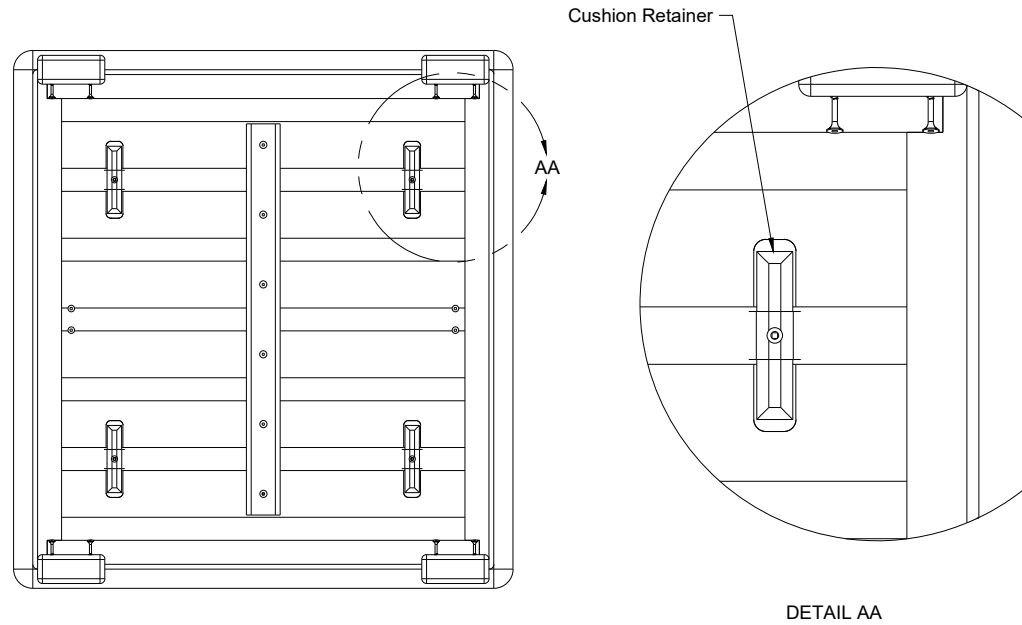
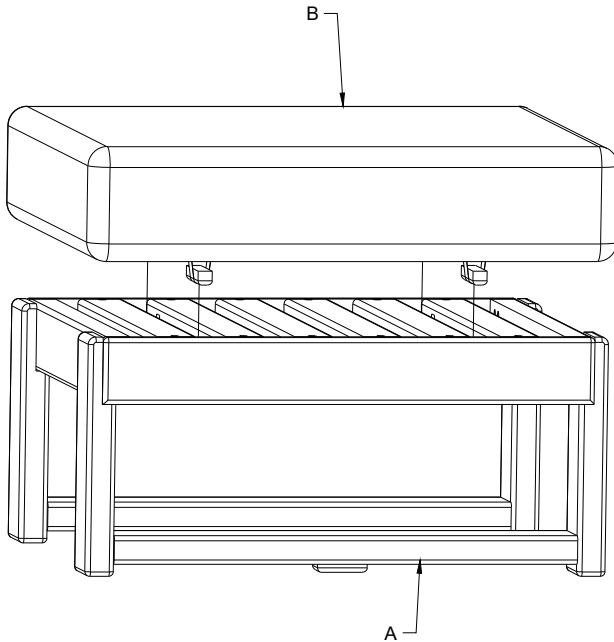
Assembly Instructions

Lanai Deep Seating Ottoman		
1	A	Ottoman Frame
1	B	Ottoman Cushion



1. To install cushion, feed Cushion Retainers between top slats on (A) Ottoman Frame.

2. Rotate retainers one-fourth turn, to align with pockets under top.



Note: If cushion seems loose, rotate retainers one-half turn farther to snug cushion.