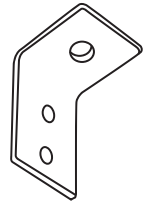


- Ⓐ Stainless Steel Screws
Quantity: 8
- Ⓑ Anchor Bolts
(Not Included)

HARDWARE



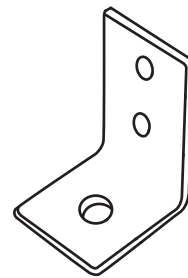
- ① Anchor Bracket
Quantity: 4

COMPONENTS

OXFORD *G* GARDEN®

Anchor Bracket Instructions

**ASSEMBLY
INSTRUCTIONS**



15 Kingbrook Parkway, Suite 100
Simpsonville, KY 40067

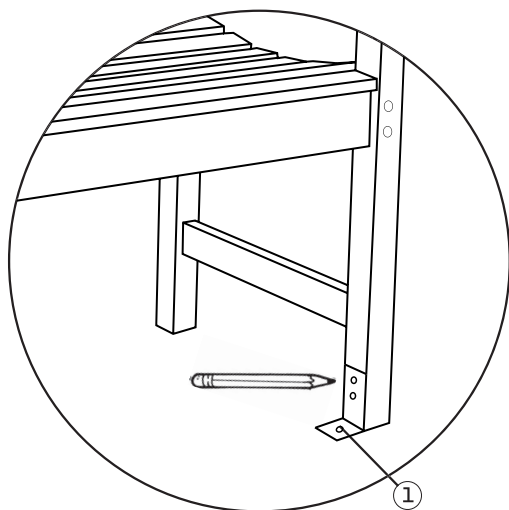
p. 877.866.3331 f. 502.719.8888

oxfordgarden.com

INSTRUCTIONS

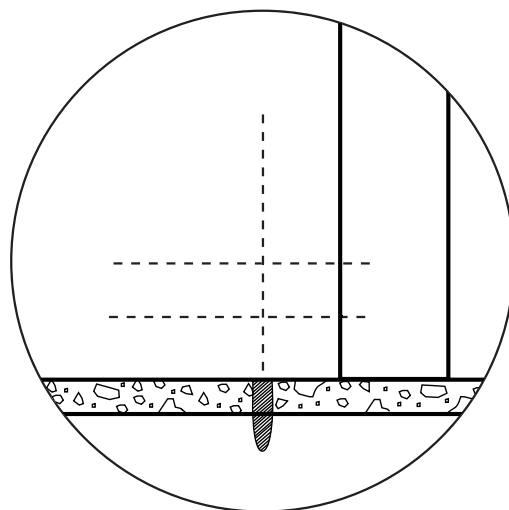
STEP 1

Position bench with brackets in place. Mark position of brackets. Mark hole placement on concrete pad bench legs.



STEP 2

Drill concrete pad. Drill legs.



STEP 3

Screw brackets to leg. Bolt brackets to pad.

