

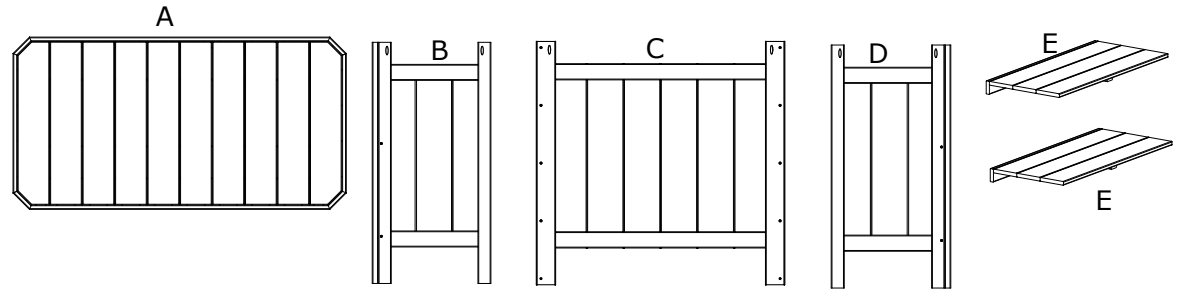


Tools Required

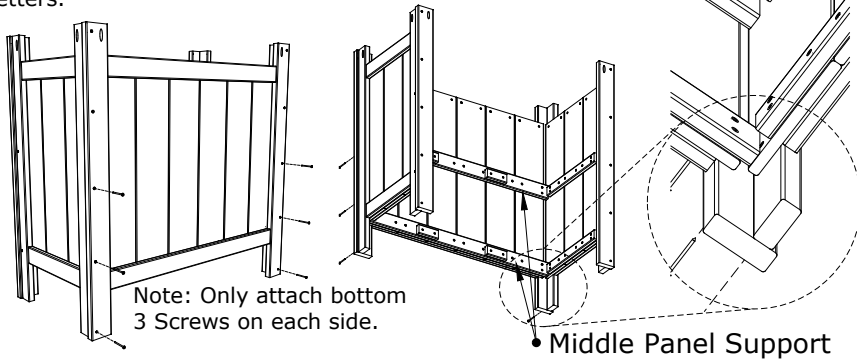
#2 Square Drive Bit
(Not Included)

- Parts List**
 1 - (A) Top
 1 - (B) Right Side Panel
 1 - (C) Front Panel
 1 - (D) Left Side Panel
 2 - (E) Shelf

Hardware
 22 - 2" Stainless Steel Screws

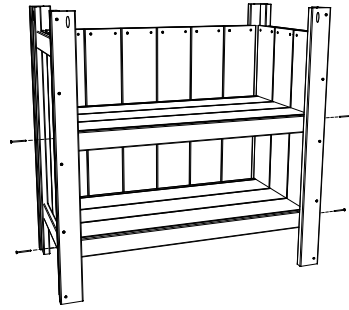


1. Attach (C) Front Panel to (B) & (D) Side Panels using 6 - 2" Screws in predrilled holes, See Notes. be sure to match all numbers & or letters.

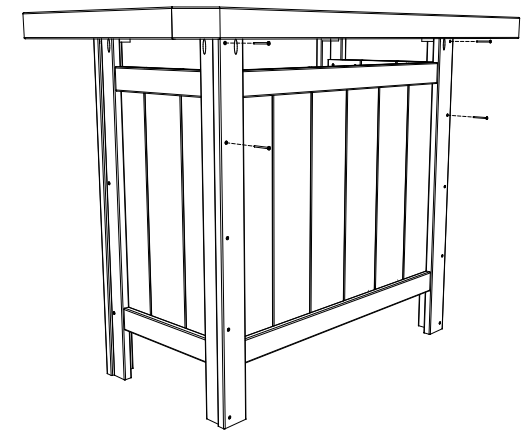


Note: Keep Side Panels Even on inside with Middle Panel Supports.

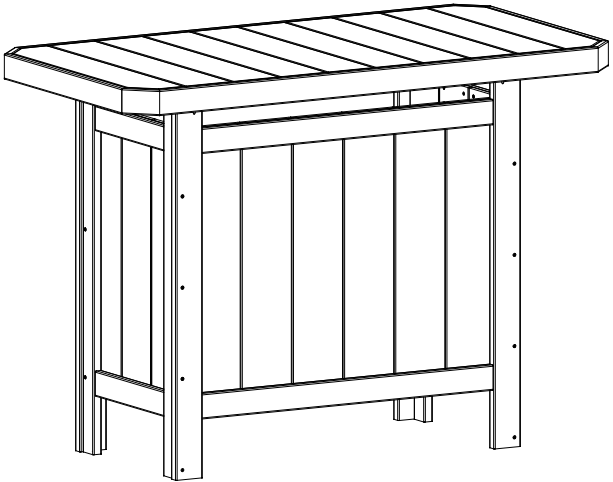
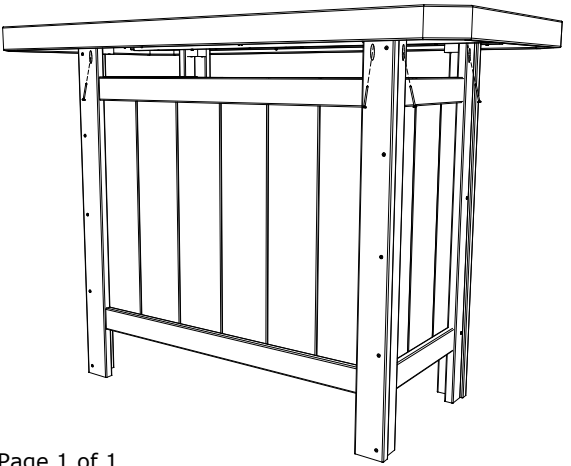
2. Insert (E) Shelves And attach using 4 - 2" Screws in predrilled holes. be sure to match all numbers & or letters.



3. Place (A) Top on base keeping Placement blocks on inside of Corners, Attach remaining 4 - 2" Screws in (B) Front Panel. be sure to match all numbers & or letters.



4. Attach (A) Top using 2 - 2" Screws per corner in pocket holes, be sure to match all numbers & or letters.



Poly Serving Bar Assembly Instructions

10/25/ 2017

R.M.