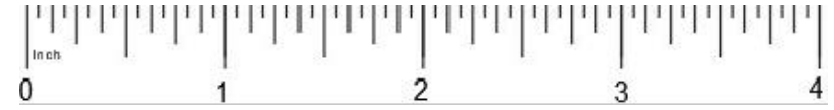
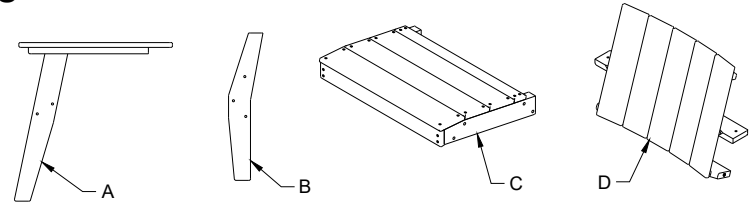
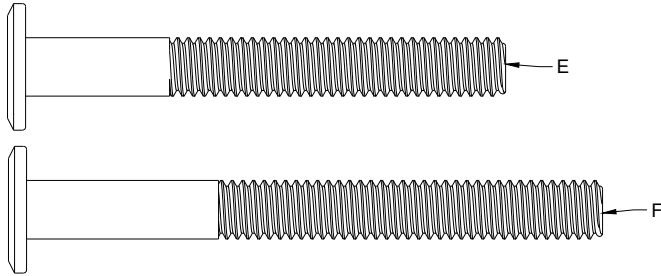




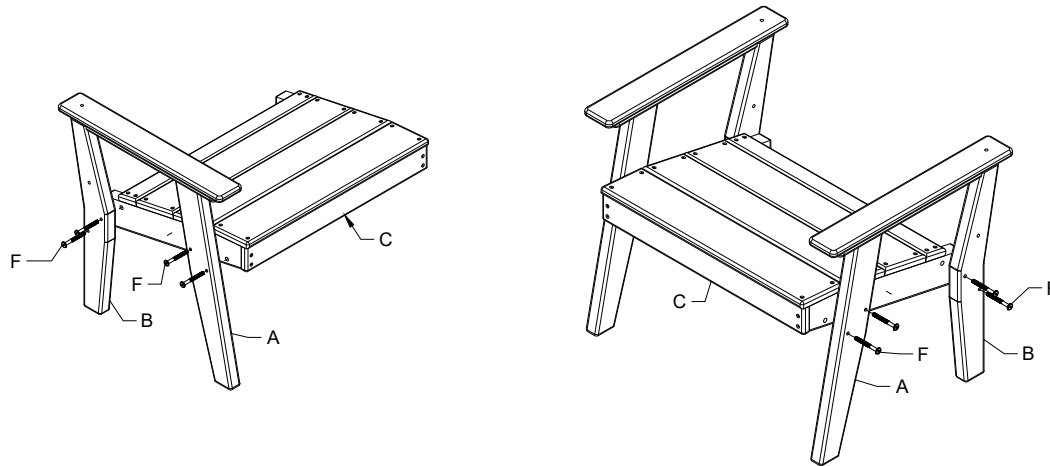
Tools Required	
5/32" Hex Key (Included)	

Assembly Instructions

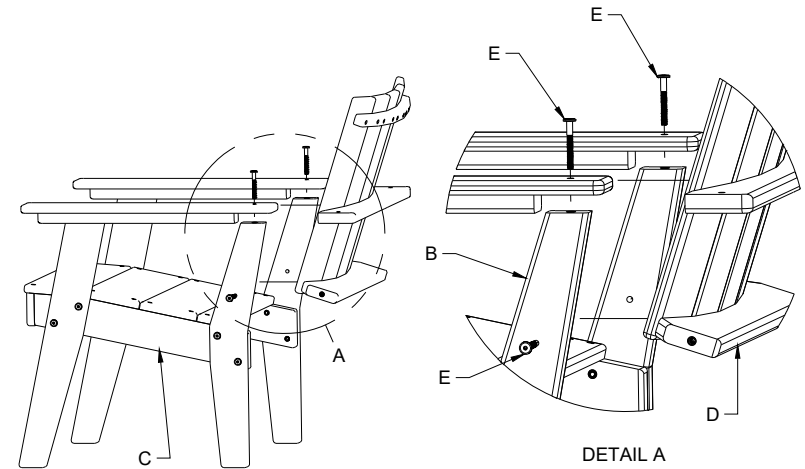
Urban Chat Chair		
2	A	Front Leg
2	B	Rear Leg
1	C	Seat Section
1	D	Back Section
4	E	5/16" X 2 1/2" Stainless Steel Wafer Bolt
8	F	5/16" X 3" Stainless Steel Wafer Bolt



1. Attach (A) Front Leg and (B) Rear Leg to your assembled (C) Seat section using 4-(F) 3" Wafer Bolts. **Be sure to match all numbers & or letters.**
 2. Repeat Step 1 Attach (A) Front Leg and (B) Rear Leg to other side of your assembled (C) Seat section using 4-(F) 3" Wafer Bolts.
- Tip:** Don't tighten bolts, until all fasteners are installed, to ease assembly.



3. Slide (D) Back Section "Top Support" between (A) Armrests and (B) Rear Legs, assemble with 2-(E) 2 1/2" Wafer Bolts, down through Armrest, and 2-(E) 2 1/2" Wafer Bolts through side of rear Leg.



4. Tighten all Fasteners using Hex Key.

